



Welcome to the latest newsletter of the Paul Pholeros Foundation. While it's been a crazy couple of years, the PPF has been quietly plugging away. As with so many organisations the PPF's activities have been impacted by the global COVID pandemic, forcing us to put some things on hold and making time to create new projects that will flourish despite and beyond the time of COVID.

Firstly we offer some background on the situation in Nepal, our initial project country.

Nepal Situation

Many of our colleagues and friends in Nepal have suffered with COVID and thankfully survived. Some of their relatives did not. The porous India border fuels the increase in COVID cases, especially the Delta strain. The under resourced health system is overwhelmed and a chaotic national government is distracted with internal struggles. Somehow vaccines arrive in the country, mainly from China, India, the USA and Japan. The PPF maintains regular contact with our Nepali colleagues, and individuals from Australia have provided funds for supply of medicines and emergency food relief in the villages.



Dhulikhel Hospital hand washing units

In 2020 the PPF sent funds to our partner the Dhulikhel Hospital. It is one of the largest teaching hospitals in Nepal and a focal point for COVID case treatment and management. The funds were used for expansion of the toilet and sanitation facilities in the hospital to assist with overall hygiene improvements.



Prem and family distributing food in Bhattedanda village



In June this year seasonal mid year rains were particularly brutal, washing away people, villages, homes and bridges, and leaving many buildings filled with mud and debris. Destruction of major bridges has cut off high country villages, exacerbating their already difficult access to food and other necessities.

These times are extremely stressful for a country whose main income sources used to be tourism and remittances from Nepalese working outside Nepal.

PPF Fellowship 2020

The PPF Fellowship 2020 to Nepal was cancelled. The PPF thanks the plumber and architect applicants, once again a high quality group. We look forward to resuming the Fellowship when international travel and project work will be safe again.

PPF Nepal Portable Handwashing 2020 Challenge

With the annual Fellowship on hold, the PPF developed a national competition for the design of a portable handwashing unit. In compliance with Australian Consumer Law the competition was open only to Australian residents.

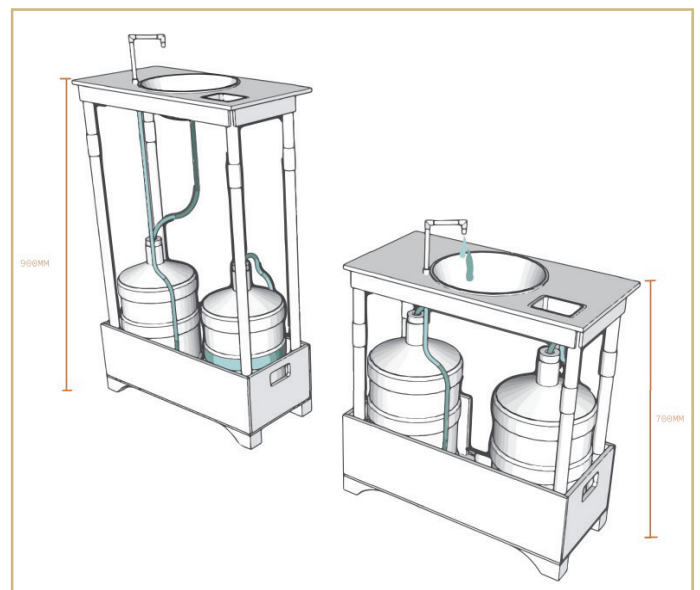
Facing the rapid spread of Coronavirus, many countries including Nepal have developed handwashing units to improve access to hand hygiene facilities particularly in public areas. However there is great need for a portable handwashing unit that can be transported to locations with little or no access to a clean reticulated water supply.

The quality of submissions was very high. The winning design was delivered by Taylor Springthorpe, a recent Bachelor of Design (Architecture) graduate from the University of Newcastle. Taylor is working with the Judging Panel members to finalise the unit's technical design details in preparation for sending to the teams in Nepal where it will be trialled and evaluated. Production after any further necessary design modifications will then be managed by Nepali fabricators.



Taylor Springthorpe, Handwashing Challenge winner

Many thanks to Director Grant Stewart for guiding the judging and unit development process, and to the other judges for their invaluable technical expertise input: Bishnu Shrestha, Adrian Welke and Tony Davies. The PPF Chairperson helped out with an end user's perspective where needed.



Taylor's winning design



We are all looking forward to the production and distribution stage of this project, once viral and climactic conditions allow. Mention must be made of the very helpful pro bono legal advice provided by the law firm DLA Piper. In a world where legalities can sometimes make or break endeavours, the lawyers patiently guided us through the legal requirements for structuring the competition. The firm has offered to continue its relationship with the Foundation.

The Paul Pholeros Architecture Scholarship

The PPF is in the final stages of developing a Paul Pholeros Architecture Scholarship. In the spirit of Paul and his lifelong commitment to improving environmental health and people's lives, the Scholarship will support newly graduated creative minds to explore the social purpose of Architecture, within Australia. We will announce its launch via the usual media channels.

New Directors

The PPF welcomed two new Directors to the Board this year. David Bartolo and Adriano Pupilli bring a wealth of knowledge and experiences to the Foundation and we look forward to their input into our activities.

With Gratitude

The Foundation functions thanks to the generosity of groups and individuals who offer access to networks, professional skills and/or financial assistance. Most have some link to Paul, either directly or through being inspired by him. This group of wonderful human beings is constantly growing and the PPF sends an enormous thank you to all.

Finally, here is a link to a short video by Zidan Waiba from Bhattedanda village, of a Buddhist ceremony near the PPF toilet block earlier this year.

[Link to video](#)

More information about the PPF and its activities are on the PPF website www.ppfoundation.com.au Instagram [@paul_pholeros_foundation](https://www.instagram.com/paul_pholeros_foundation)



PPF Directors and Taylor. From left, Adriano Pupilli, David Bartolo, Taylor, Sandra Meihubers, Grant Stewart. Bob Puffett absent.